



# Ductile Iron MJ Compact Fittings

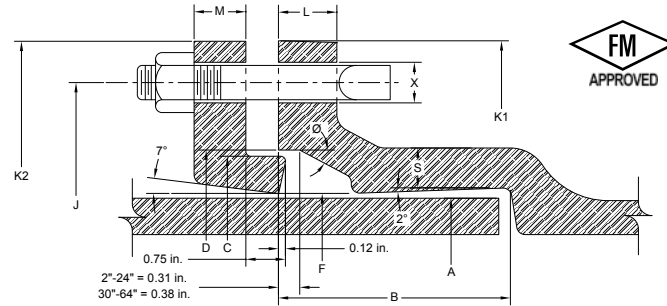
**ANSI/AWWA C153/A21.53**

**GENERAL SPECIFICATIONS**

- MATERIAL:** Ductile Iron per ASTM A536
- PRESSURE:** 350 PSI rating for 2" - 24" sizes, 250 PSI rating for 30" - 48" sizes and 150 PSI rating for 54" - 64" sizes
- TESTING:** In accordance with ANSI/AWWA C153/A21.53 and UL requirements
- LAYING LENGTH:** In accordance with ANSI/AWWA C153/A21.53 (fittings not listed in ANSI/AWWA have dimensions per Star design as noted in the catalog)
- DEFLECTION:** 2"-4"=8° | 6"=7° | 8"-12"=5° | 14"-16"=3 1/2° | 18"-24"=3° | 30"-48"=2°
- WEIGHTS:** Are in pounds, unless noted otherwise and do not include accessories, cement lining and coating
- FLANGES:** Flanged ends on fittings match ANSI/AWWA C115/A21.15 and ANSI B16.1 class 125 flanges
- CEMENT LINING:** In accordance with ANSI/AWWA C104/A21.4 -- size 2" - 3" single thickness and sizes 4" - 64" double thickness
- COATING:** Asphaltic seal coat inside and out in accordance with ANSI/AWWA C104/A21.4 and referenced in ANSI/AWWA C153/A21.53
- GASKETS:** SBR in accordance with ANSI/AWWA C111/A21.11
- T-BOLTS/NUTS:** Low alloy steel in accordance with ANSI/AWWA C111/A21.11
- APPROVALS:** 3" - 12" UL/ULC Listed | 2" and greater are UL/ANSI/NSF Standards 61 and 372 | 3" - 16" FM APPROVED. Please consult factory for detail listing and approvals.
- DIMENSIONS:** All dimensions are in inches unless noted otherwise.
- INSTALLATION:** Per ANSI/AWWA C600 and C111 using DIP conforming to C150/C151 and PVC pipe conforming to C900/C905



SUBMITTAL INFORMATION	
<b>PROJECT NAME:</b>	<input style="width: 80%;" type="text"/>
<b>ENGINEER:</b>	<input style="width: 80%;" type="text"/>
<b>CONTRACTOR:</b>	<input style="width: 80%;" type="text"/>
<b>SPEC. SECTION:</b>	<input style="width: 80%;" type="text"/>



**MECHANICALJOINT DIMENSIONS**

NOM. SIZE	A DIA.	B	C DIA.	D DIA.	F DIA.	J DIA.	K1 DIA.	K2 DIA.	L	M	S	Ø	X DIA.	BOLTS	
														SIZE	NO.
2	2.50	2.50	3.39	3.50	2.61	4.75	6.19	6.25	0.58	0.62	0.36	28°	3/4	5/8 x 3	2
3	3.96	2.50	4.84	4.94	4.06	6.19	7.62	7.69	0.58	0.62	0.39	28°	3/4	5/8 x 3	4
4	4.80	2.50	5.92	6.02	4.90	7.50	9.06	9.12	0.60	0.75	0.39	28°	7/8	3/4 x 3 1/2	4
6	6.90	2.50	8.02	8.12	7.00	9.50	11.06	11.12	0.63	0.88	0.43	28°	7/8	3/4 x 3 1/2	6
8	9.05	2.50	10.17	10.27	9.15	11.75	13.31	13.37	0.66	1.00	0.45	28°	7/8	3/4 x 3 1/2	6
10	11.10	2.50	12.22	12.34	11.20	14.00	15.62	15.62	0.70	1.00	0.47	28°	7/8	3/4 x 3 1/2	8
12	13.20	2.50	14.32	14.44	13.30	16.25	17.88	17.88	0.73	1.00	0.49	28°	7/8	3/4 x 3 1/2	8
14	15.30	3.50	16.40	16.54	15.44	18.75	20.25	20.25	0.79	1.25	0.55	28°	7/8	3/4 x 4	10
16	17.40	3.50	18.50	18.64	17.54	21.00	22.50	22.50	0.85	1.31	0.58	28°	7/8	3/4 x 4	12
18	19.50	3.50	20.60	20.74	19.64	23.25	24.83	24.75	1.00	1.38	0.68	28°	7/8	3/4 x 4	12
20	21.60	3.50	22.70	22.84	21.74	25.50	27.08	27.00	1.02	1.44	0.69	28°	7/8	3/4 x 4	14
24	25.80	3.50	26.90	27.04	25.94	30.00	31.58	31.50	1.02	1.56	0.75	28°	7/8	3/4 x 4 1/2	16
30	32.00	4.00	33.29	33.46	32.17	36.88	39.12	39.12	1.31	2.00	0.82	20°	1 1/8	1 x 5 1/2	20
36	38.30	4.00	39.59	39.76	38.47	43.75	46.00	46.00	1.45	2.00	1.00	20°	1 1/8	1 x 5 1/2	24
42	44.50	4.00	45.79	45.96	44.67	50.62	53.12	53.12	1.45	2.00	1.25	20°	1 3/8	1 1/4 x 6	28
48	50.80	4.00	52.09	52.26	50.97	57.50	60.00	60.00	1.45	2.00	1.35	20°	1 3/8	1 1/4 x 6	32
54 60 64	<i>{Fittings &amp; Dimensions Available On Request }</i>														

**SIZE RANGE (Please specify):**  
 Size Range \_\_\_\_\_

**LINING OPTIONS (Please check one):**  
 Standard: Cement-lined and asphalt seal coat per ANSI/AWWA C104/A21.4 and UL/NSF-61  
 Optional: FBE (Fusion Bonded Epoxy) per ANSI/AWWA C116/A21.15 and UL/NSF-61 - ID & OD Only  
 Optional: P401 (Protecto 401) Ceramic Epoxy - sewer applications only. Not NSF-61  
 Optional: Other (specify) \_\_\_\_\_

**COATING OPTIONS (Please check one):**  
 Standard: Asphaltic seal coat per ANSI/AWWA C104/A21.4  
 Optional: FBE (Fusion Bonded Epoxy) per ANSI/AWWA C116/A21.15 and UL/NSF-61 - ID & OD Only  
 Optional: Other (specify) \_\_\_\_\_

